

BODHI SIDE TABLE

24128384

Thank you for purchasing the Bodhi side table. Before you begin to assemble your new piece of furniture, please check to ensure that all hardware and parts have been supplied. This page lists all contents included in the carton(s).

Follow instructions closely as deviation from them may present a possible safety risk and may void your warranty.

It is recommended that assembly done on a soft surface such as carpet to avoid any damage.

If you experience any problems with your new purchase, please phone Freedom Customer Service (FCS) on 1300 135 588 (Australia) or 0800 469 327 (New Zealand).

Care information:

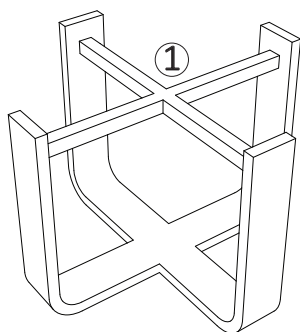
When moving furniture, always lift the item, never drag it. Wipe down all surfaces with a clean damp cloth and dry with another clean cloth. Clean up spills immediately by blotting with a damp cloth. Use a mild detergent if needed. Do not use acidic or bleach based cleaners.

Avoid placing hot or wet items directly on the surface as they can leave marks which are difficult to remove. Use tablecloths, table runners and coasters to help protect surfaces from scratching and heat sources. Avoid direct sunlight for extended periods as this can cause warping. Never use the tabletop as a cutting surface or similar. If the furniture is in direct sunlight, move items like vases around to avoid spotting. Item is intended for indoor use only.

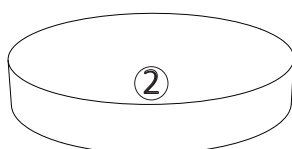
Avoid placing your furniture in highly humid or dry areas, such as directly next to air vents. Direct sunlight may slightly darken or lighten wood furniture.

Clean the surface with a soft cloth dampened with a quality cleaner formulated for wood furniture. Wipe the surface in the direction of the wood grain to remove dirt and fingerprints. Wipe dry with a clean dry cloth.

Parts:



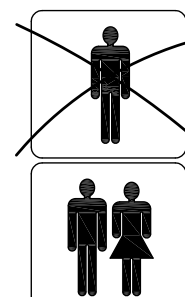
1 Pc



1 Pc



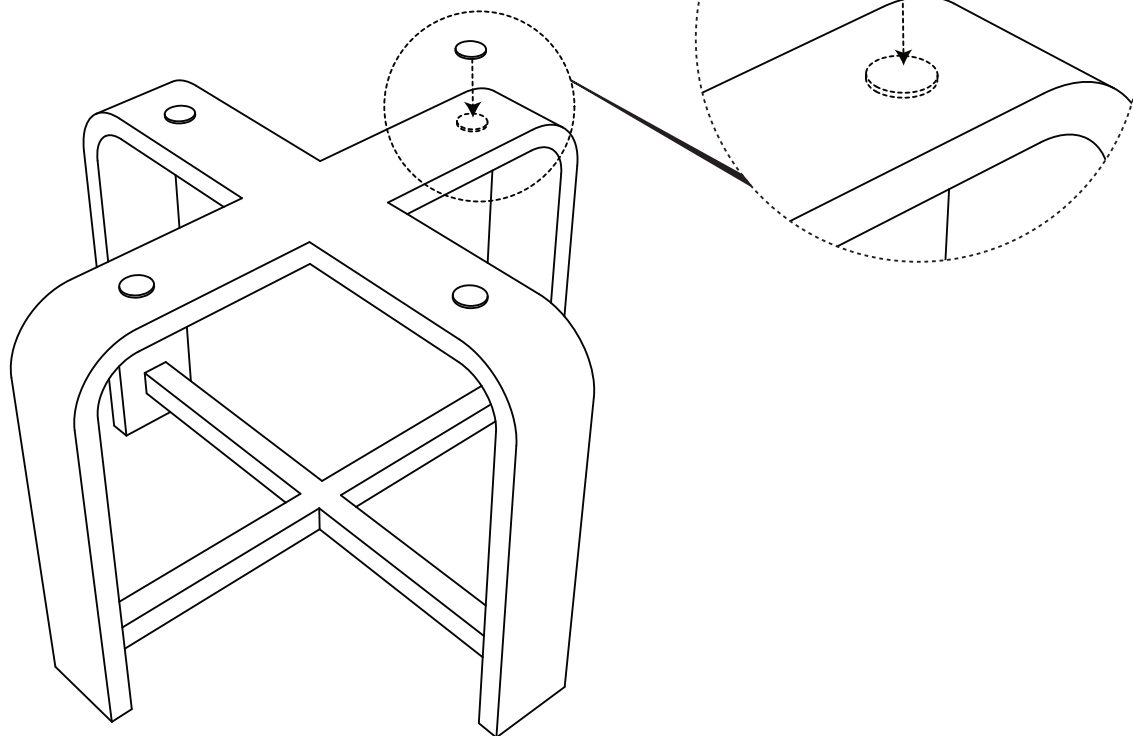
8 Pcs



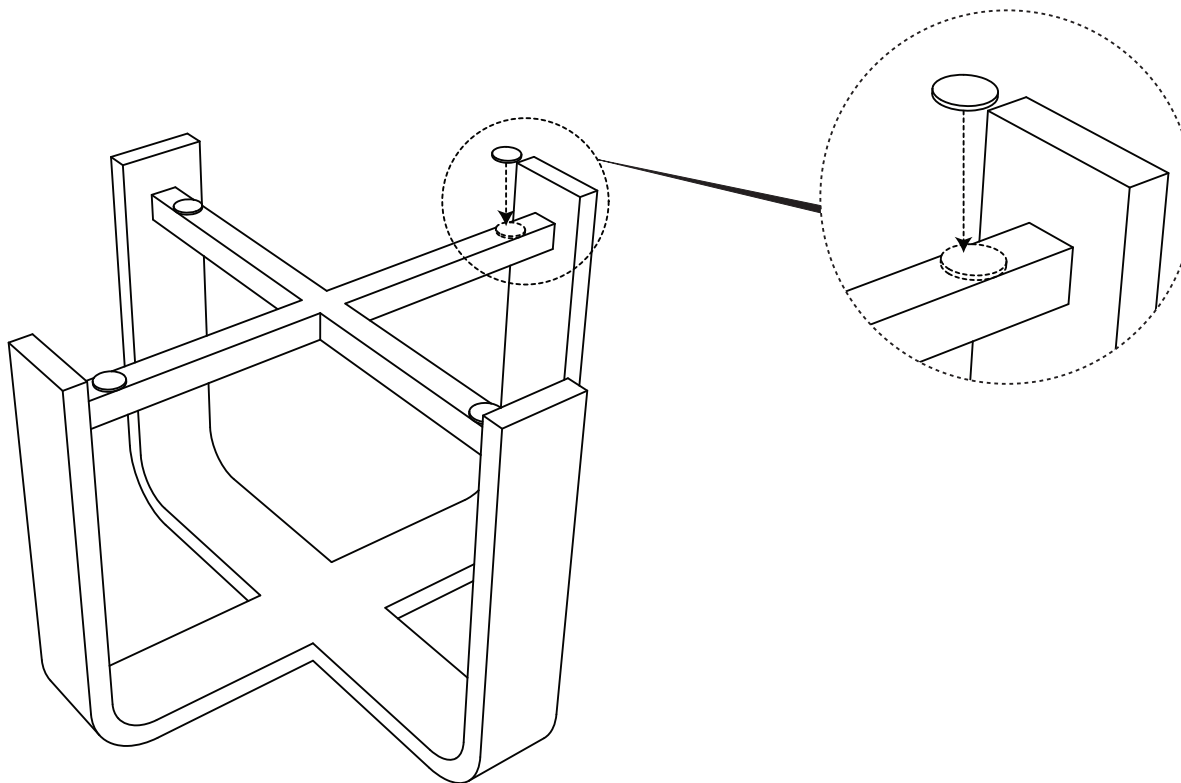
BODHI SIDE TABLE

24128384

Step 1:



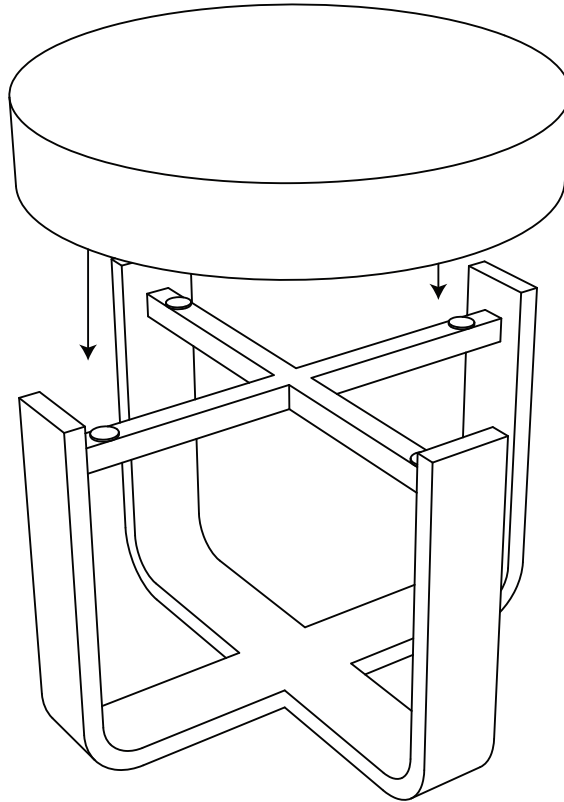
Step 2:



BODHI SIDE TABLE

24128384

Step 3:



Finish:

