

# SADDLE DINING CHAIR

23782976,23782969

Thank you for purchasing the **SADDLE Dining chair**. Before you begin to assemble your new piece of furniture, please check to ensure that all hardware and parts have been supplied. The following page lists all contents included in the carton(s).

Follow instructions closely as deviation from them may present a possible safety risk and may void your warranty.

It is recommended that assembly is done on a soft surface such as carpet to avoid any damage.

If you experience any problems with your new purchase, please phone Freedom Customer Service (FCS) on 1300 135 588 (Australia) or 0800 469 327 (New Zealand).

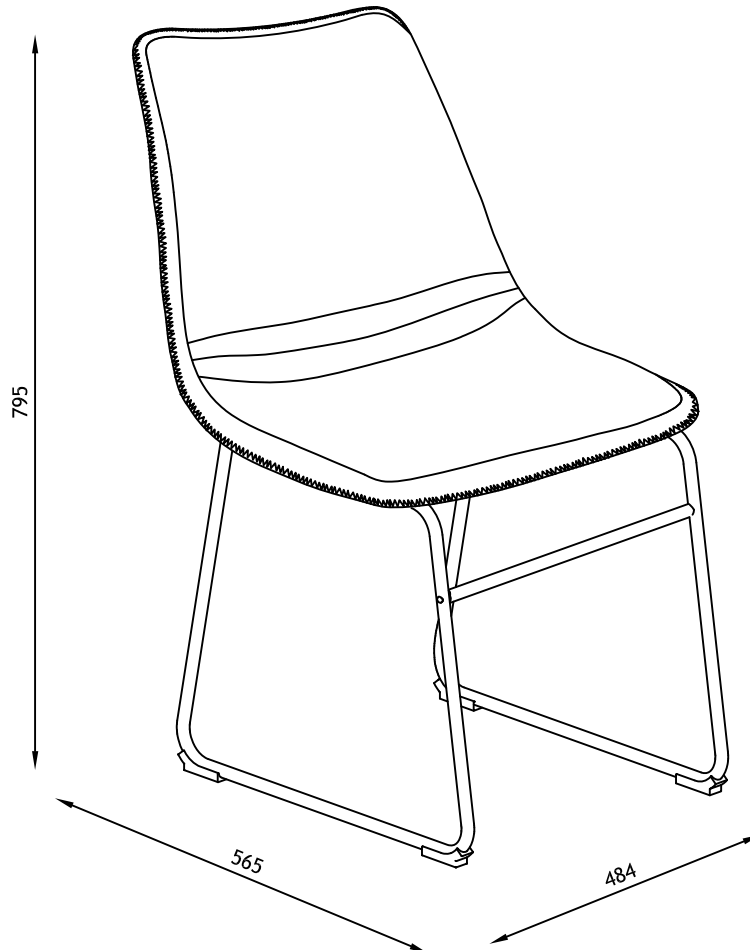
## Care Information

Periodically check and re-tightened any fasteners. Dust weekly with a clean dry duster. Protect from direct and indirect Sunlight. Maintain at least 30 cm. between your furniture and heat sources. Use Freedom recommended care products designed for your furniture. Use care products strictly in accordance with the manufactures instructions.

Always carefully lift furniture when moving it around the home and never drag.

Use floor protectors on the bottom of furniture (like tables and chairs) to minimise damage to floor coverings.

Use coasters, place mats, tablecloths and table runners to protect furniture surfaces from heat and stains

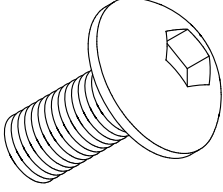
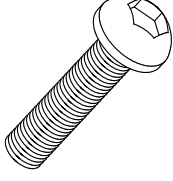

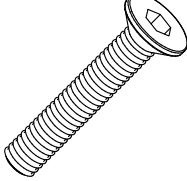



22253 - 045 Rev 1

# SADDLE DINING CHAIR

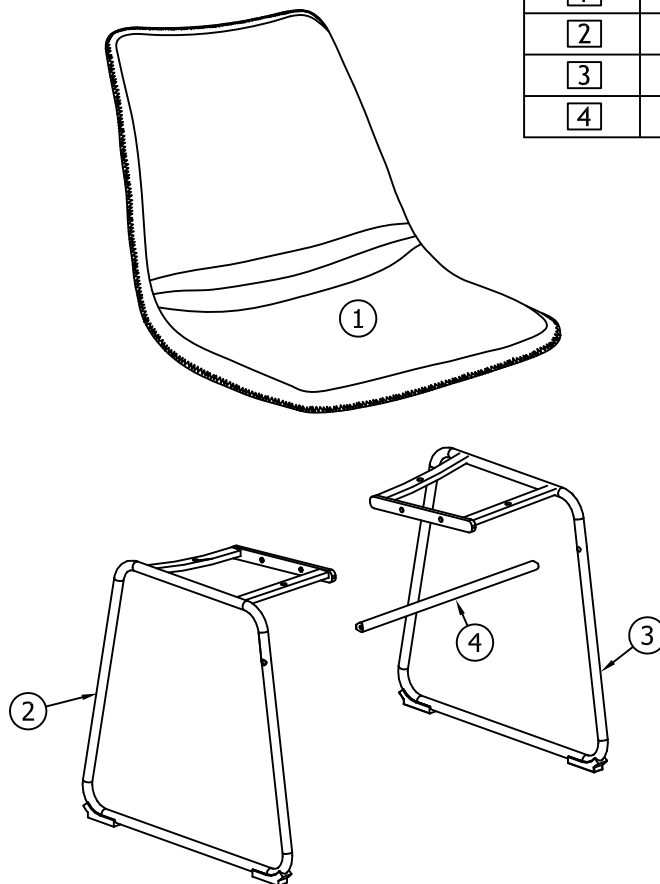
23782976,23782969

## Hardware (Supplied)

<p>A x 2</p>  <p>M8x14 mm</p>	<p>B x 4</p>  <p>M6x25 mm</p>	<p>C x 4</p>  <p>M6/Ø18 mm</p>	<p>D x 2</p>  <p>M6x30 mm</p>
<p>E x 1</p>  <p>5 mm</p>			

## Parts

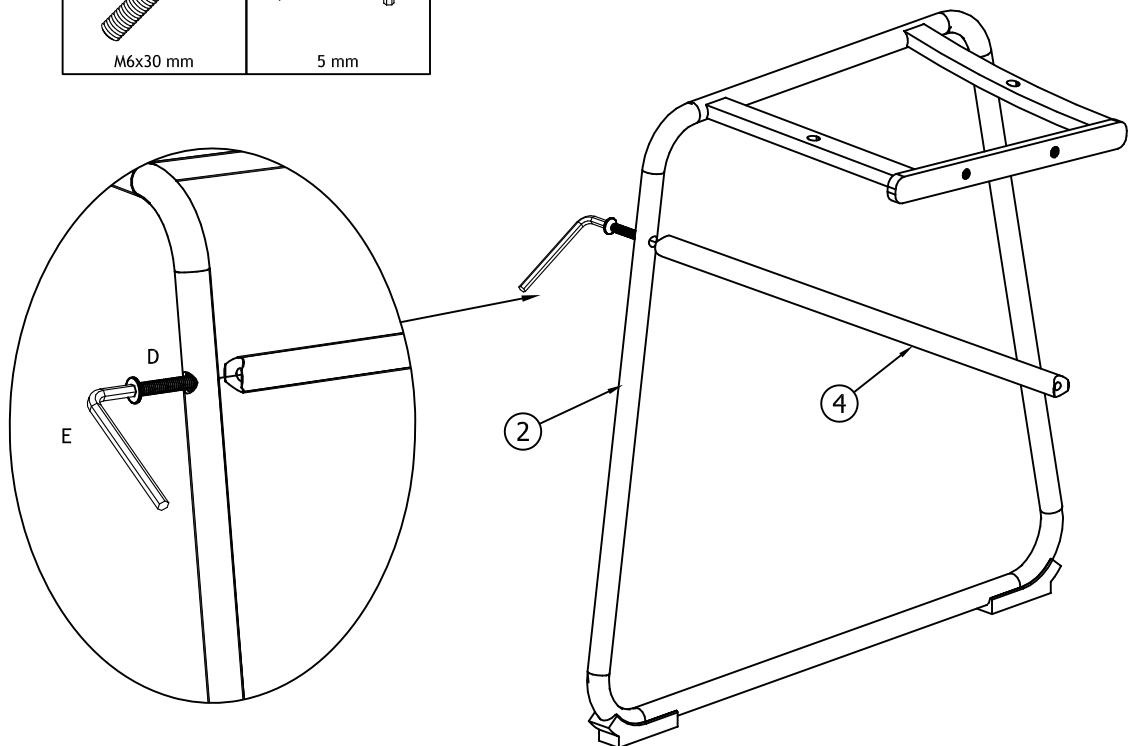
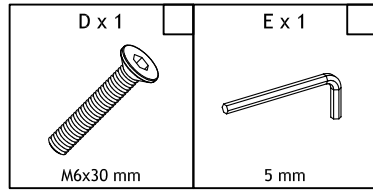
PART	QTY	SIZE	CHECK ✓
1	1	460 x 460 x 415	
2	1	475 x 450 x 215	
3	1	475 x 450 x 215	
4	1	408 x Ø16	



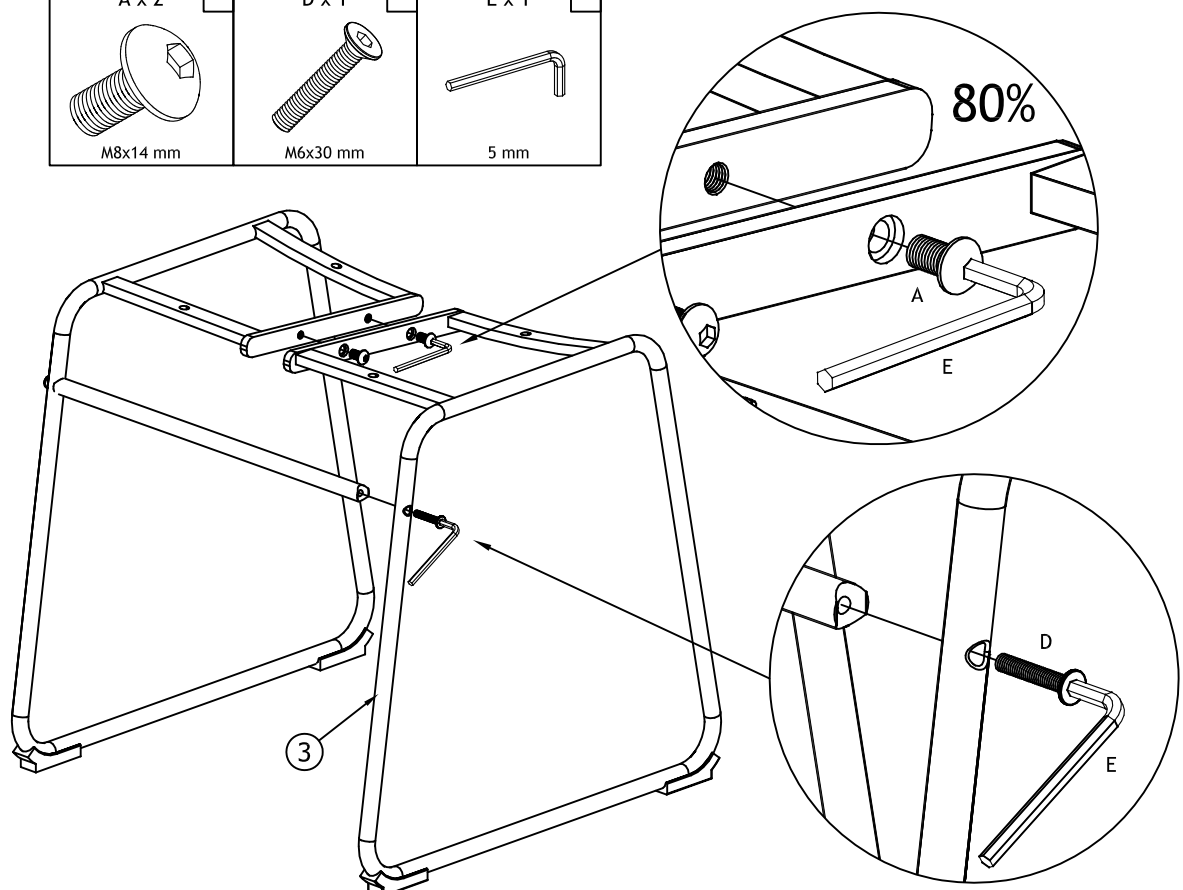
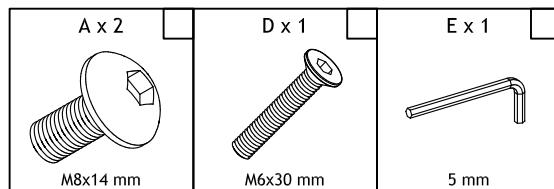
# SADDLE DINING CHAIR

23782976,23782969

## Step 1



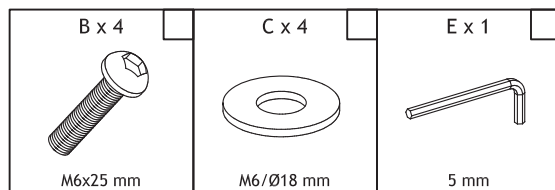
## Step 2



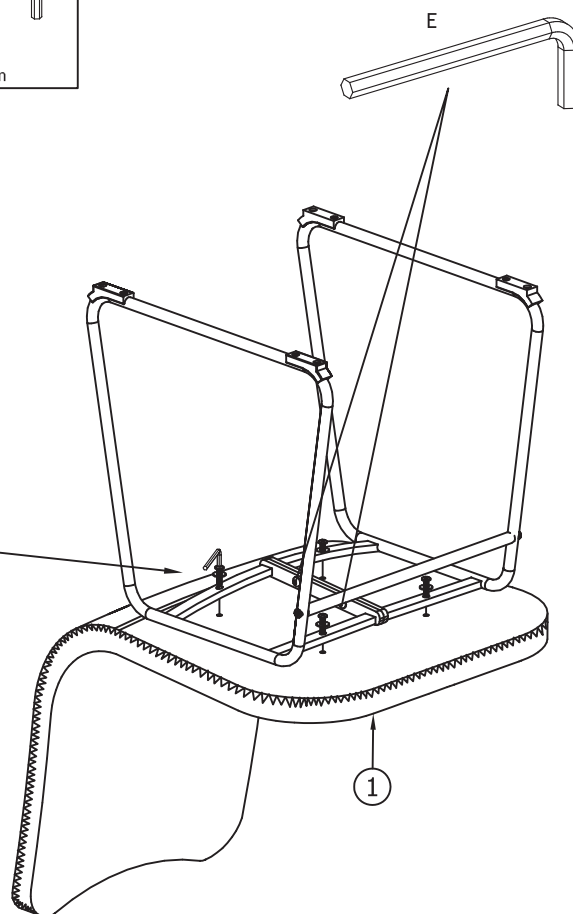
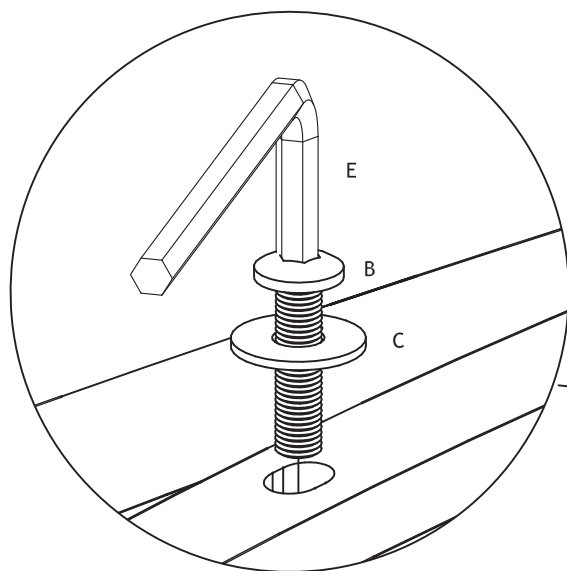
# SADDLE DINING CHAIR

23782976,23782969

## Step 3



100%



## Step 4

