

BROCK OFFICE CHAIR

23746350

Thank you for purchasing the Brock Office Chair. Before you begin to assemble your new piece of furniture, please check to ensure that all hardware and parts have been supplied. This page lists all contents included in the carton(s).

Follow instructions closely as deviation from them may present a possible safety risk and may void your warranty.

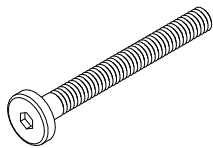
It is recommended that assembly is done on a soft surface such as carpet to avoid any damage.

If you experience any problems with your new purchase, please phone Freedom Customer Service (FCS) ON 1300 135 588 (Australia) or 0800 469 327 (New Zealand).

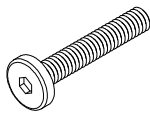
Care Information:

Dust weekly using a soft, clean cloth. Do not use harsh abrasives, chemicals or polishes containing silicone. Avoid direct sunlight.

Hardware (Supplied)



Ⓐ x 10



Ⓑ x 4



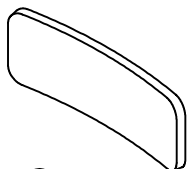
Ⓒ x 10



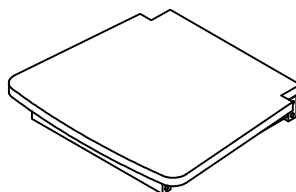
Ⓓ x 1

Tools Required (Not Supplied)

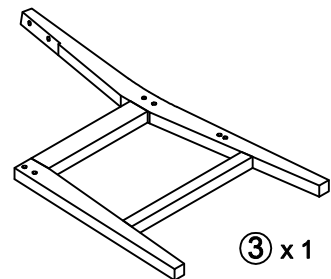
Parts



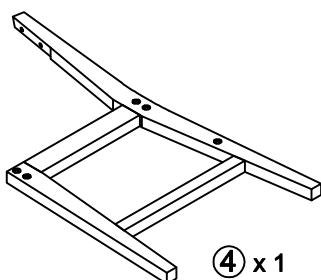
① x 1



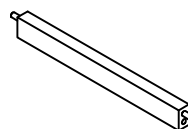
② x 1



③ x 1



④ x 1

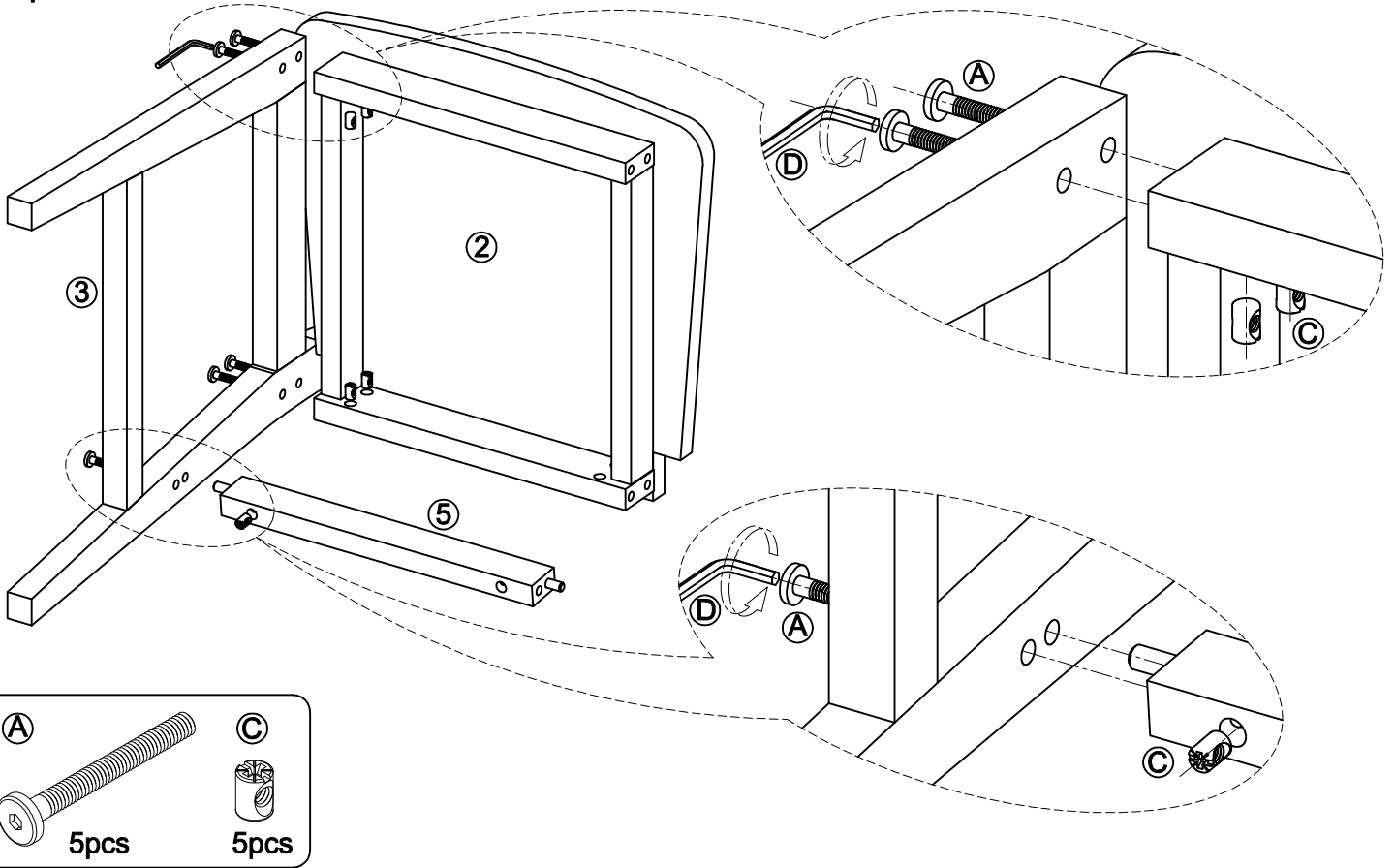


⑤ x 1

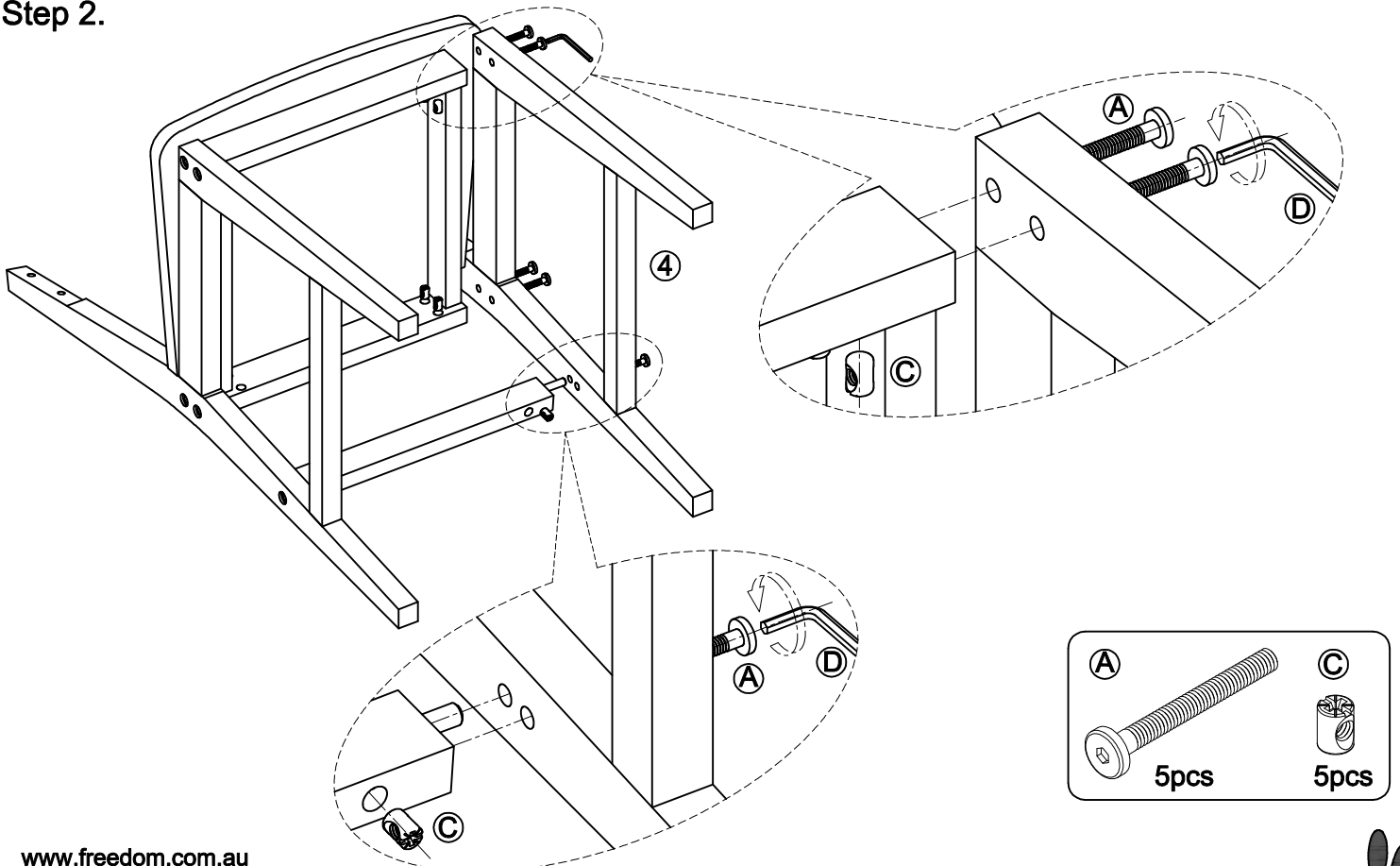
BROCK OFFICE CHAIR

23746350

Step 1.



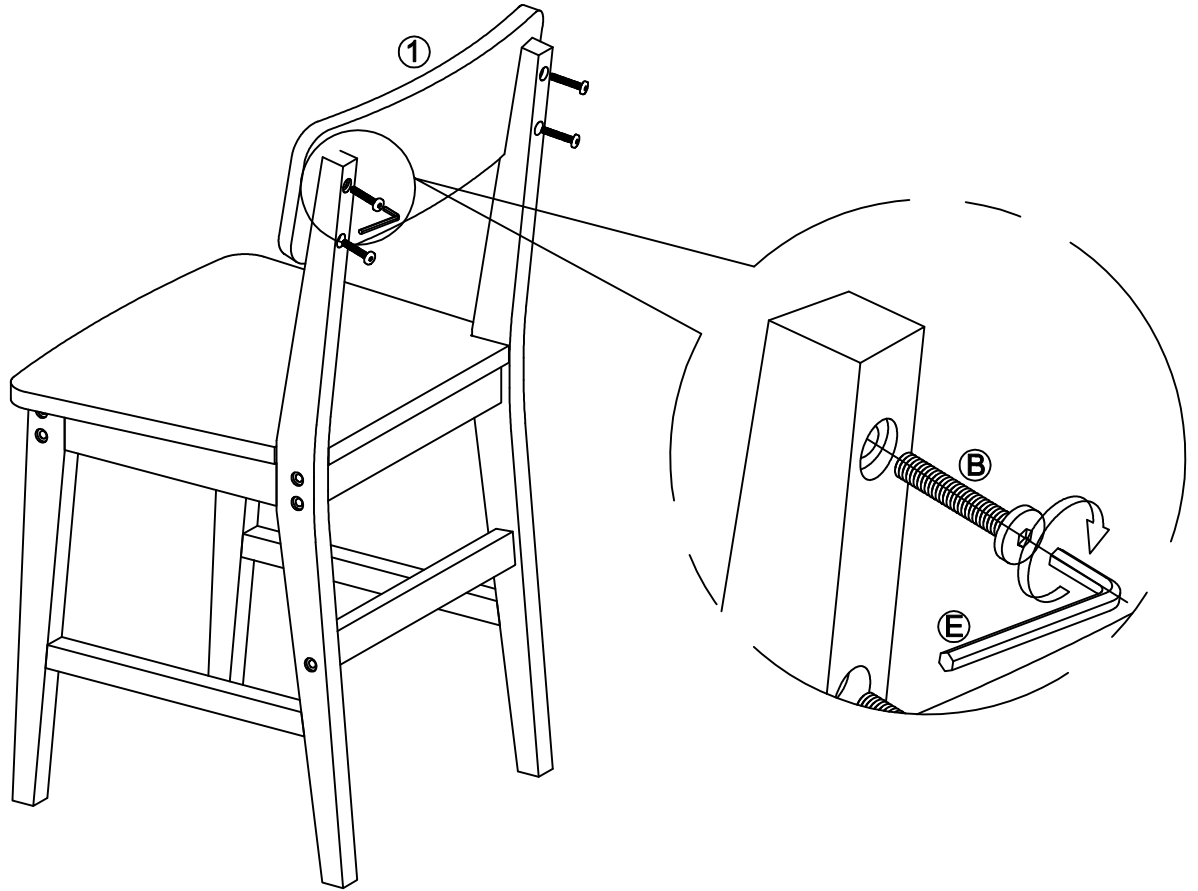
Step 2.



BROCK OFFICE CHAIR

23746350

Step 3.



Step 4.

