

Rhodes Bed Double/Queen/King

23510005 23510012/23510036 23510043/23510067 23510074

freedom 

Thank you for purchasing the **Rhodes Bed Double/Queen/King**. Before you begin to assemble your new piece of furniture, please check to ensure that all hardware and parts have been supplied. This page lists all contents included in the carton(s).

Follow instructions closely as deviation from them may present a possible safety risk and may void your warranty.

It is recommended that assembly is done on a soft surface such as carpet to avoid any damage.






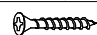


If you experience any problems with your new purchase please phone Freedom Customer Service (FCS) on **1300 135 588**. Customers outside Australia should contact their closest Freedom store.

Care Information

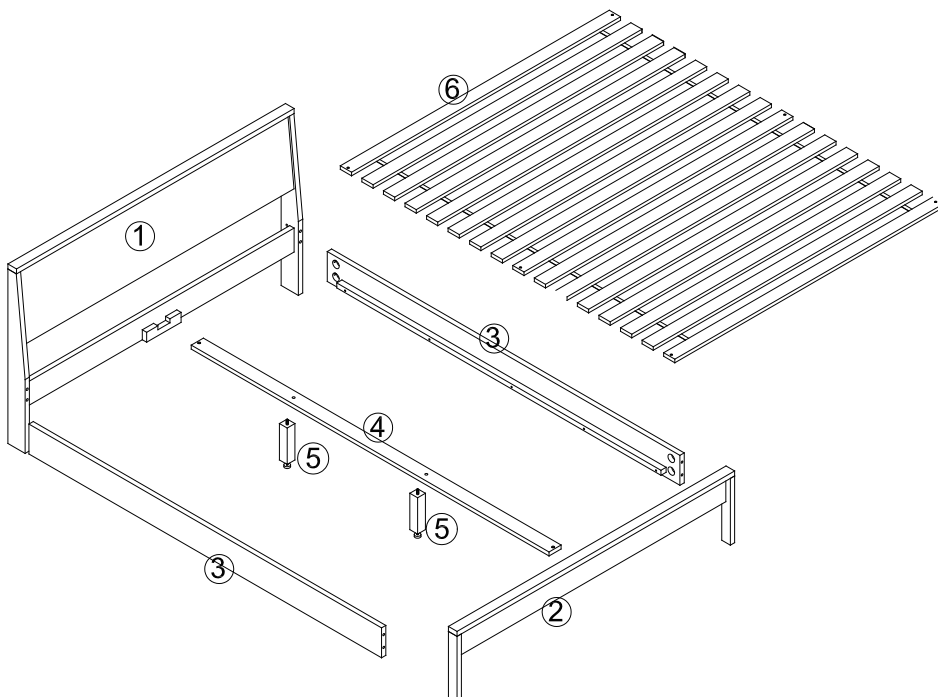
Timber

Periodically check and re-tighten any fasteners. Dust weekly using a soft, clean cloth. Do not use harsh abrasives, chemicals or polishes containing silicone. Avoid direct sunlight as this will cause the timber to change colour. It is important to remove moist substances immediately.

Hardware (Supplied)

Code	Description	Qty	Code	Description	Qty	Code	Description	Qty
A	 Screw M8x60mm	x4	B		x8	C		x1
D		x8	E		x8	F	 Screw	x8
G		x4	H	 Screw M8x120mm	x4			

Parts



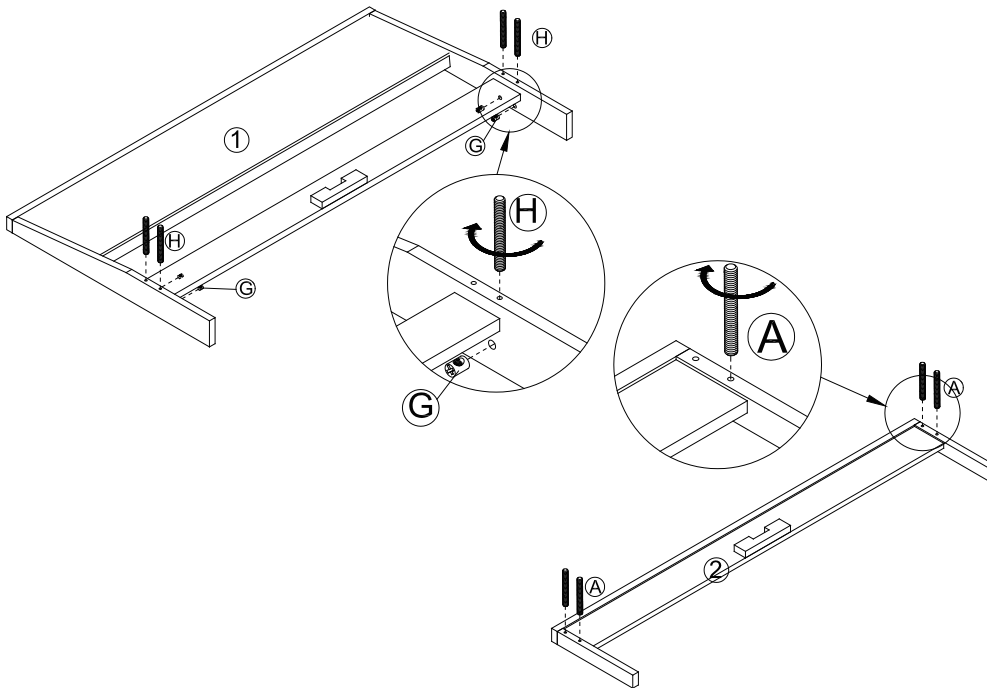
ITEM	DESCRIPTION	QTY
1	HEADBOARD	1
2	FOOTBOARD	1
3	SIDEPANEL	1
4	SLAT	1
5	PLINTH	2
6	MATTRESS BOARD	1




Rhodes Bed Double/Queen/King

23510005 23510012/23510036 23510043/23510067 23510074

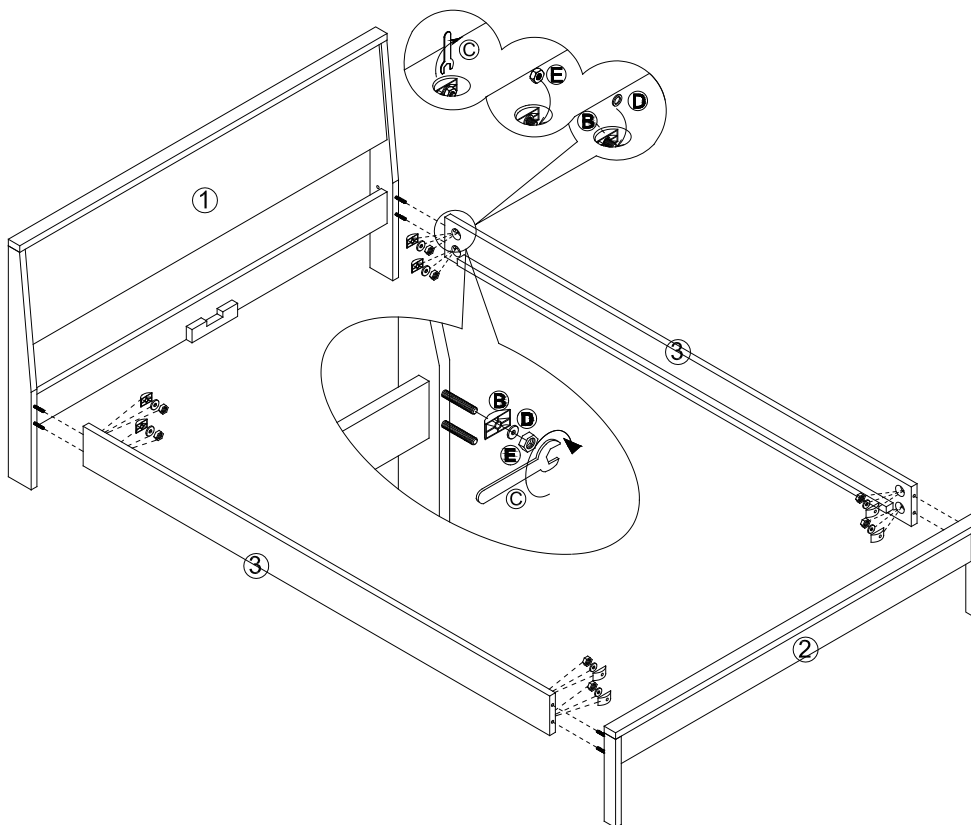
freedom 

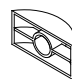



Step 1.



Code	Description	Qty
A	 Screw M8x60mm	x4
G		x4
H	 Screw M8x120mm	x4

Step 2.



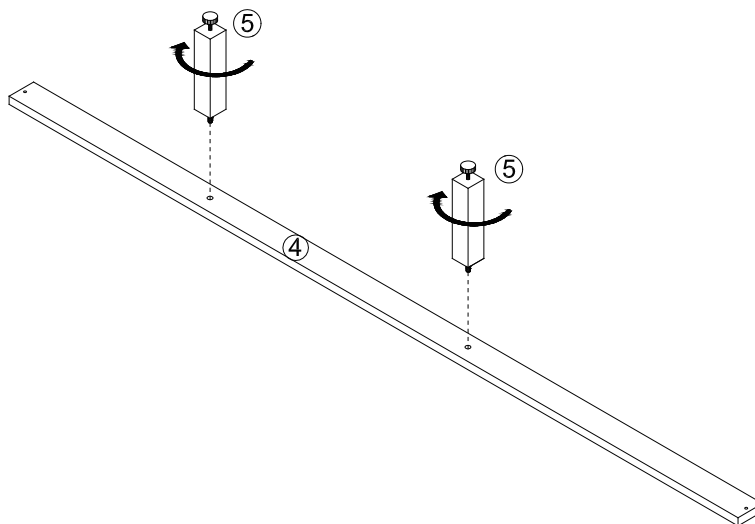
B		x8
C		x1
D		x8
E		x8

Rhodes Bed Double/Queen/King

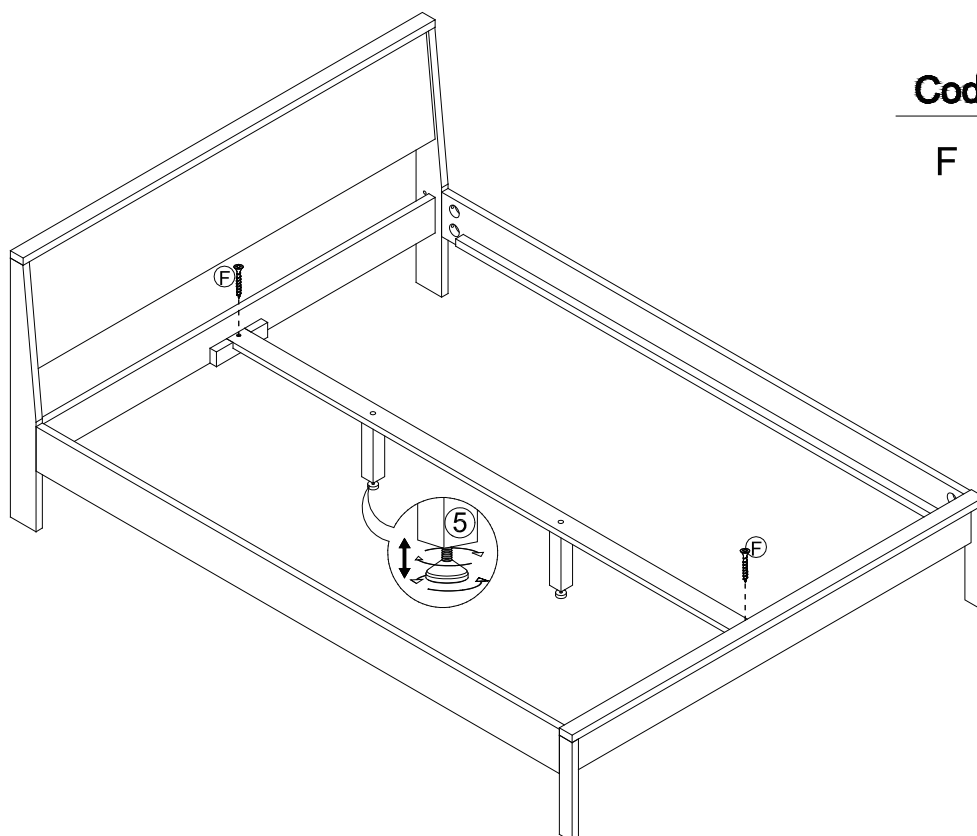
23510005 23510012/23510036 23510043/23510067 23510074



Step 3.



Step 4.



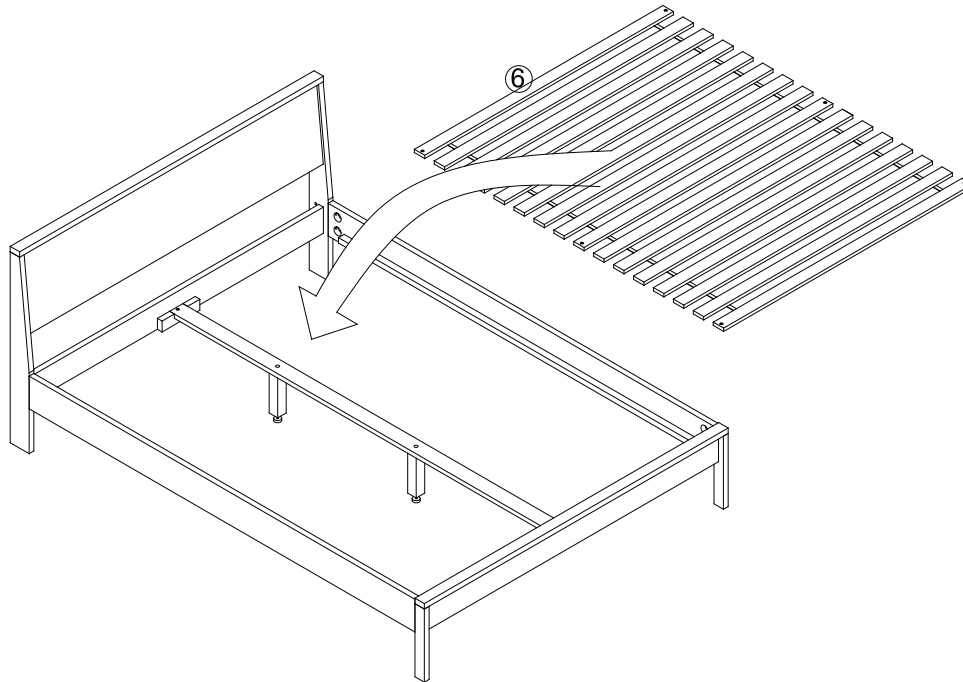
Code	Description	Qty
F	 Screw	x 2

Rhodes Bed Double/Queen/King

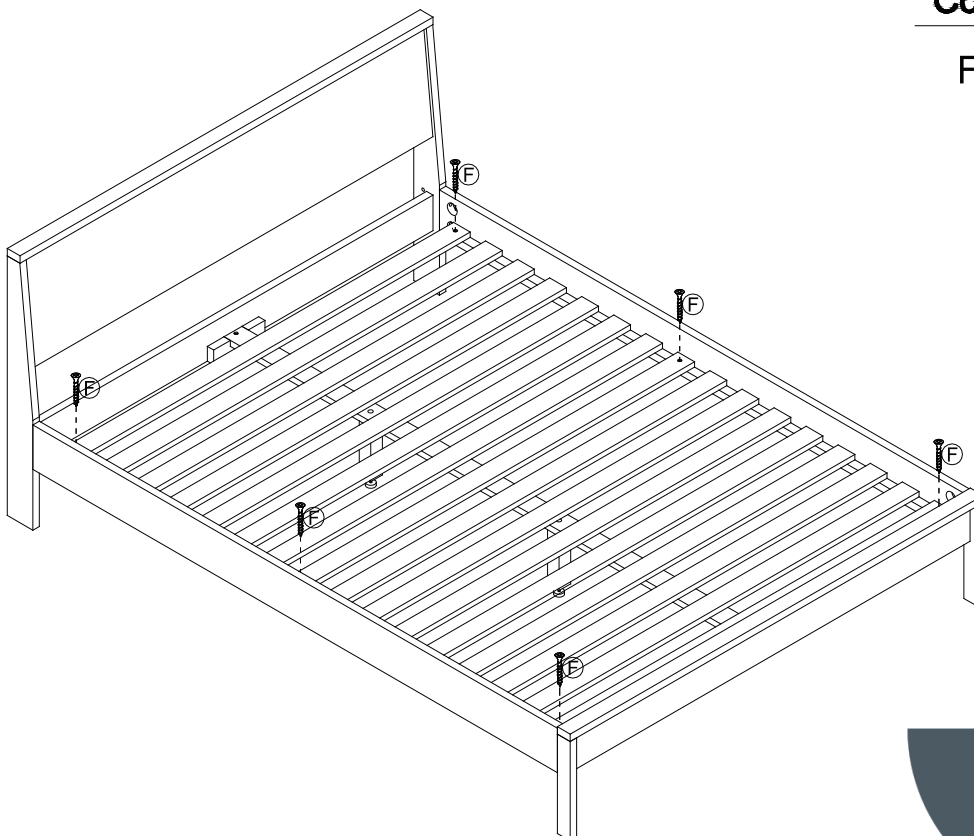
23510005 23510012/23510036 23510043/23510067 23510074

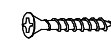
freedom 

Step 5.



Step 6.



Code	Description	Qty
F	 Screw	x 6

! Once completed, ensure that all screws are firmly tightened. This is very important for the safety of your product.